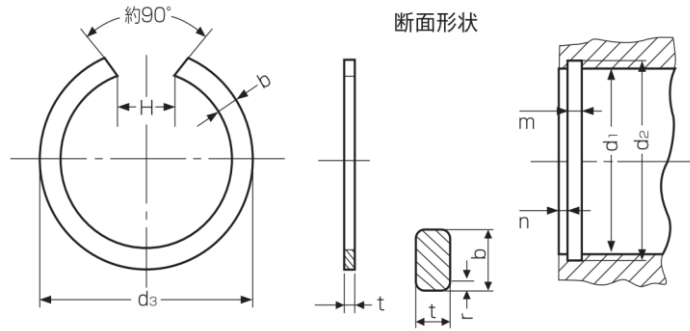


### 轴承用同心挡圈（BR孔用）规格表



产品的称呼 如 轴承用同心挡圈孔用7或BR7

| 型 号 | 挡 圈   |           |      |    |       |    | 适 用 轴 |     |       |            |      |            |
|-----|-------|-----------|------|----|-------|----|-------|-----|-------|------------|------|------------|
|     | d3    |           | t    |    | b     |    | H     | d1  | d2    |            | m    |            |
|     | 基本尺寸  | 公差        | 基本尺寸 | 公差 | 基本尺寸  | 公差 | 基本尺寸  |     | 基本尺寸  | 公差         | 基本尺寸 | 公差         |
| 180 | 184.5 | +1.5<br>0 | 2.5  |    | 4.0   |    | 16.0  | 180 | 182.6 | +0.63<br>0 | 2.66 |            |
| 183 | 187.5 |           |      |    |       |    |       | 183 | 185.6 |            |      |            |
| 190 | 194.9 |           |      |    |       |    |       | 190 | 193.0 |            |      |            |
| 195 | 199.9 | 3.0       |      |    | 5.0   |    | 20.0  | 195 | 198.0 | +0.68<br>0 | 3.16 |            |
| 200 | 205.0 |           |      |    |       |    |       | 200 | 203.0 |            |      |            |
| 205 | 210.0 |           |      |    |       |    |       | 205 | 208.0 |            |      |            |
| 210 | 215.0 |           |      |    |       |    |       | 210 | 213.0 |            |      |            |
| 215 | 220.0 |           |      |    |       |    |       | 215 | 218.0 |            |      |            |
| 220 | 225.2 |           |      |    |       |    |       | 220 | 223.0 |            |      |            |
| 225 | 230.2 |           |      |    |       |    |       | 225 | 228.0 |            |      |            |
| 230 | 235.3 |           |      |    |       |    |       | 230 | 233.0 |            |      |            |
| 240 | 245.5 |           |      |    |       |    |       | 240 | 243.0 |            |      |            |
| 250 | 255.5 |           |      |    |       |    |       | 250 | 253.0 |            |      |            |
| 260 | 267.7 | ±0.06     |      |    | ±0.08 |    | 27.0  | 260 | 265.0 | +0.73<br>0 | 4.16 | +0.18<br>0 |
| 270 | 277.7 |           |      |    |       |    |       | 270 | 275.0 |            |      |            |
| 280 | 287.8 |           |      |    |       |    |       | 280 | 285.0 |            |      |            |
| 300 | 307.9 |           |      |    |       |    |       | 300 | 305.0 |            |      |            |
| 320 | 328.2 |           |      |    |       |    |       | 320 | 325.0 |            |      |            |
| 325 | 333.2 |           |      |    |       |    |       | 325 | 330.0 |            |      |            |
| 350 | 358.5 |           |      |    |       |    |       | 350 | 355.0 |            |      |            |
| 355 | 363.5 |           |      |    |       |    |       | 355 | 360.0 |            |      |            |
| 360 | 368.6 |           |      |    |       |    |       | 360 | 365.0 |            |      |            |
| 375 | 383.6 |           |      |    |       |    |       | 375 | 380.0 |            |      |            |
| 380 | 388.7 | 4.0       |      |    | 7.5   |    | 27.0  | 380 | 385.0 | +0.73<br>0 | 4.16 | +0.18<br>0 |
| 385 | 393.7 |           |      |    |       |    |       | 385 | 390.0 |            |      |            |
| 395 | 403.8 |           |      |    |       |    |       | 395 | 400.0 |            |      |            |
| 400 | 408.8 |           |      |    |       |    |       | 400 | 405.0 |            |      |            |
| 415 | 424.0 |           |      |    |       |    |       | 415 | 420.0 |            |      |            |
| 420 | 429.1 |           |      |    |       |    |       | 420 | 425.0 |            |      |            |
| 440 | 449.3 |           |      |    |       |    |       | 440 | 445.0 |            |      |            |

材质：SWB或SWC 硬度：HRC40-50